



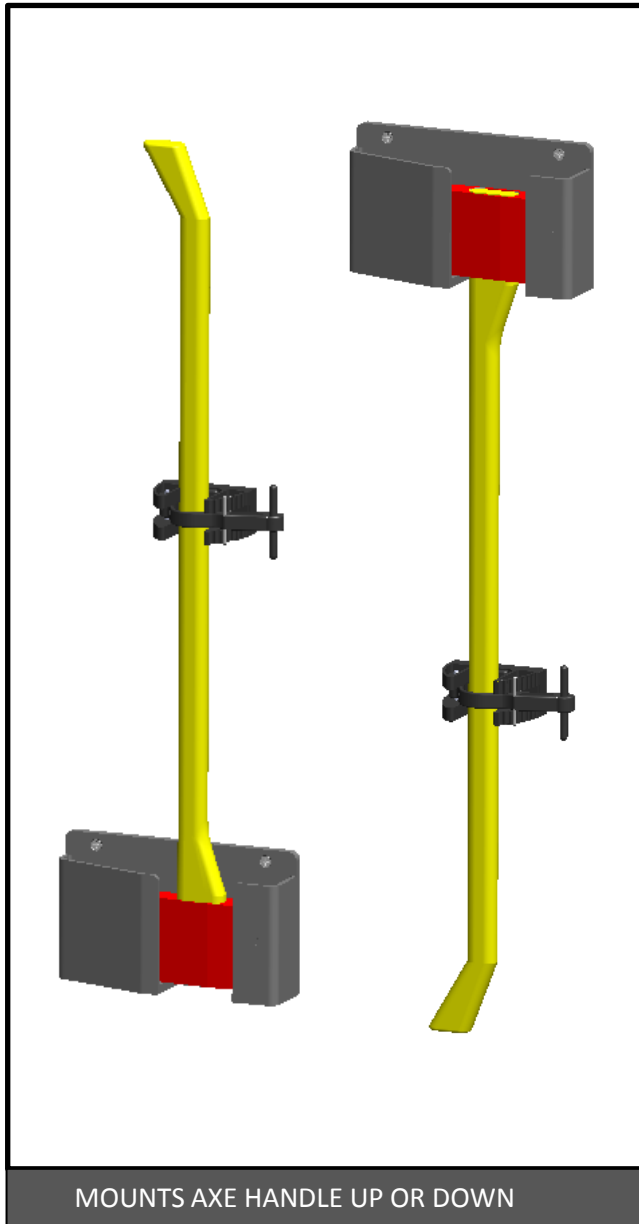
FLATHEAD AXE HANGER KIT P/N K5011 INSTALLATION INSTRUCTIONS

For additional assistance call 888-514-0083 between 8AM-5PM EST or email: info@pactoolmounts.com



CAUTION

To avoid the risk of personal injury, property damage or product damage, please use the included fasteners for mounting.

- * The bracket must be securely mounted to a stable surface and material.
- * When mounting bracket to PAC TRAC aluminum products **P/N 7000**, **P/N 7020**, **P/N 7040**, **P/N 7050** with the included Trac Lok inserts **P/N 7016**, torque the screws to a maximum 15 in-lbs.
- * PAC recommends regular and frequent inspections to be certain of proper operation and installation.



MOUNTS AXE HANDLE UP OR DOWN

STANDARD MTG. HARDWARE PAC Fastener Packet P/N 2034		QTY
 P/N 2031	¼-20 x 1 S.S. S.S. Flat Head Screw	4
 P/N 2069LN	¼-20 Nylon Locking Nut	4

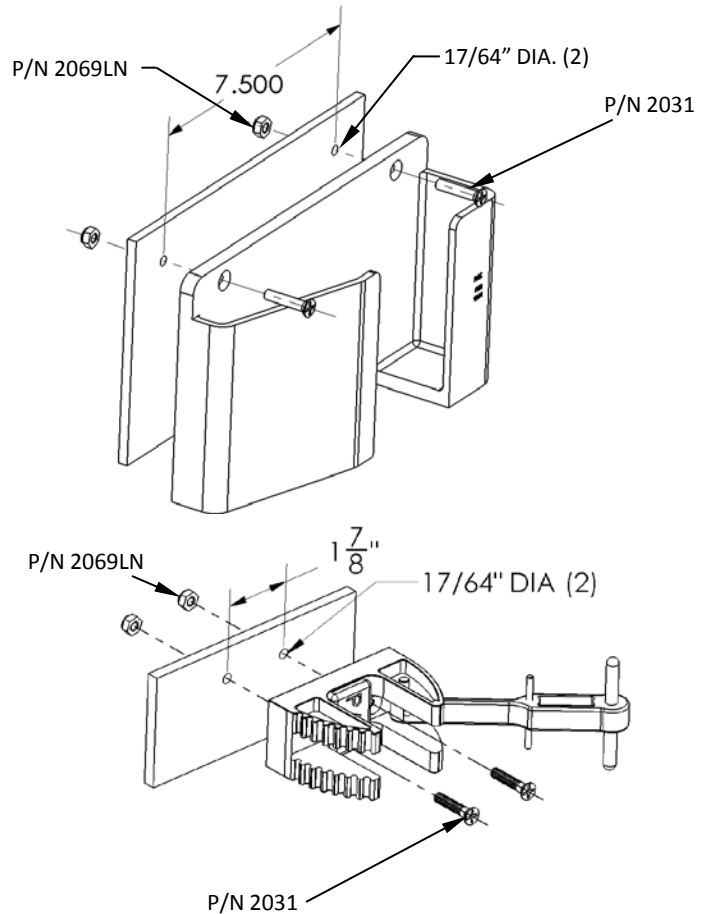


FIGURE 1
(Thru Mounting Method)



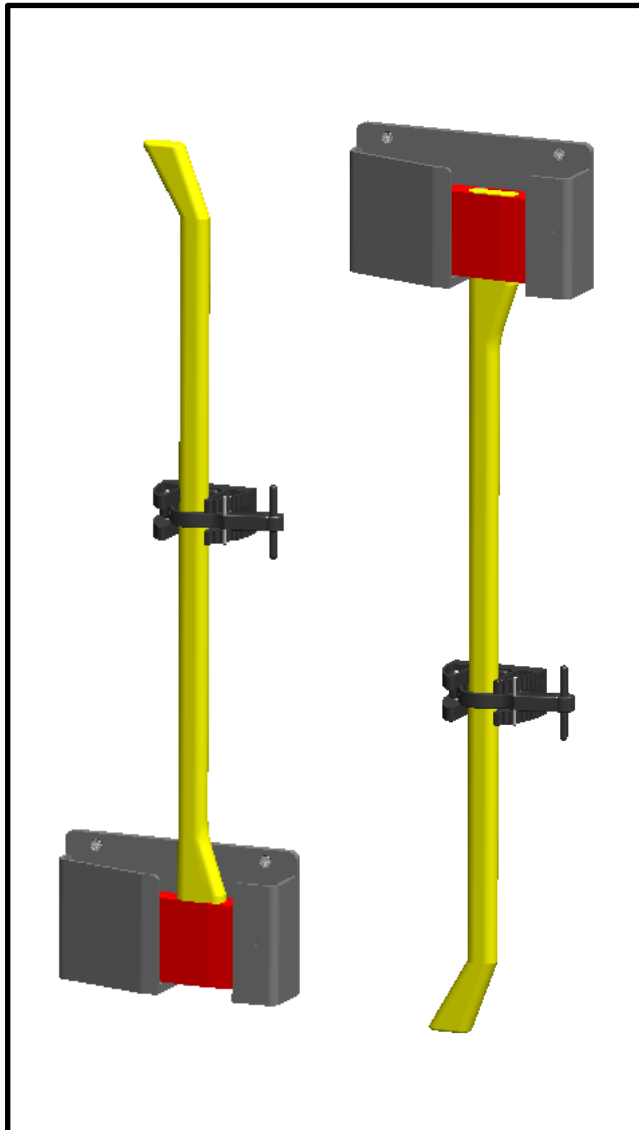
FLATHEAD AXE HANGER KIT - PT P/N K5011 INSTALLATION INSTRUCTIONS

For additional assistance call 888-514-0083 between 8AM-5PM EST or email: info@pactoolmounts.com



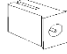
CAUTION


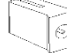
To avoid the risk of personal injury, property damage or product damage, please use the included fasteners for mounting.

- * The bracket must be securely mounted to a stable surface and material.
- * When mounting bracket to PAC TRAC aluminum products **P/N 7000, P/N 7020, P/N 7040, P/N 7050** with the included Trac Lok inserts **P/N 7016**, torque the screws to a maximum 15 in-lbs.
- * PAC recommends regular and frequent inspections to be certain of proper operation and installation.



MOUNTS AXE HANDLE UP OR DOWN

PAC TRAC MTG. HARDWARE			QTY
PAC Fastener Packet P/N 7021 – Axe Pocket			
	P/N 2043	#10-24 x 1 S.S. Flat Head Screw	2
	P/N 2054	#10 S.S. Washer	2
	P/N 7016	TRAC LOK INSERT	2

PAC TRAC MTG. HARDWARE			QTY
PAC Fastener Packet P/N 7023 - Handle Lok			
	P/N 2044	#10-24 x 1-1/4 S.S. Flat Head Screw	2
	P/N 7016	TRAC LOK INSERT	2

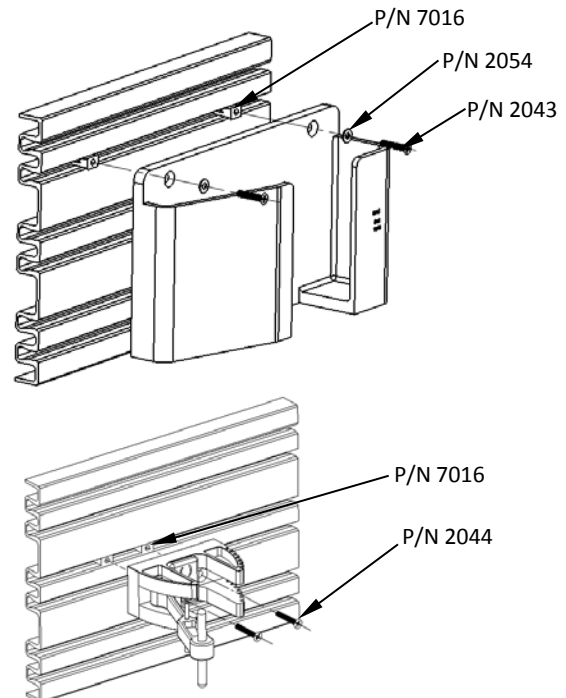


FIGURE 2
(PAC TRAC Mounting)